

Important recommendations

Before using the new coffeemaker for the first time, we recommend to rinse the inside elements and ducts. Fill the machine with cold water and operate it once or twice without any coffee.

Place the machine horizontally in a frost-free room. If the room is not frost-free, remove remaining water from the machine. Remove all loose parts and hold the machine upside down over the sink.

Prior to this operation the machine should be disconnected from the mains.

If the machine will not be used for some time, it is recommended to run it once through with water only before making coffee. This will prevent any stale flavour.

Setting of the filterholder:

- for preparing 6-10 cups
- for preparing 2-5 cup
- if you want coffee before the brewing is completely finished

- a) A short power-supply cord is to be provided to reduce risks resulting from becoming entangled on or tripping over a longer cord.
- b) Extension cords may be used if care is exercised in their use.
- c) If an extension cord is used,
 - 1) the marked electrical rating of the extension cord should be at least as great as the rating of the appliance
 - 2) If the appliance is of the grounded type, the extension cord should be a grounding-type 3-wire cord, and
 - 3) The longer cord should be arranged so that it will not drape over the counter top or table top where it can be pulled on by children or tripped over.

Servicing should be performed by an authorized service facility.

Descaling

Your coffeemaker will need regular descaling, depending on the hardness of the water in your area and the frequency with which the coffeemaker is used.

Instructions:

Once the vertical and transparent spyglass in the middle of the reservoir has lost its transparency because of scale, cleaning should be done.

Should descaling notwithstanding the signal in the spyglass be forgotten there is a second warning – the red scale indicator, which is located next to the extra hot switch. It will light up when the equipment needs descaling. If descaling is not carried out regularly, the deposits of scale will cause overheating of the boiling element and the machine will be switched off automatically.

To descale the machine, proceed as follows:

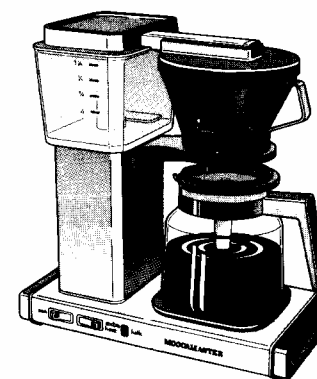
1. Fill reservoir with 1 litre of cold vinegar or another good descaler. Place empty filterholder on the filterbracket and the empty jug on the hot plate. Then switch machine on.
2. The coffeemaker will determine the descaling speed independently.
3. After descaling, use the machine twice more with one litre of clean cold water to remove the vinegar residues in order to prevent a bad flavour in the coffee. If the indicator lamp is not switched off after descaling, the level of scale may be so high that the procedure need to be repeated. Do not use a descaling agent more than once.



MOCCAMASTER

the coffeemaker makers.

Instructions for use



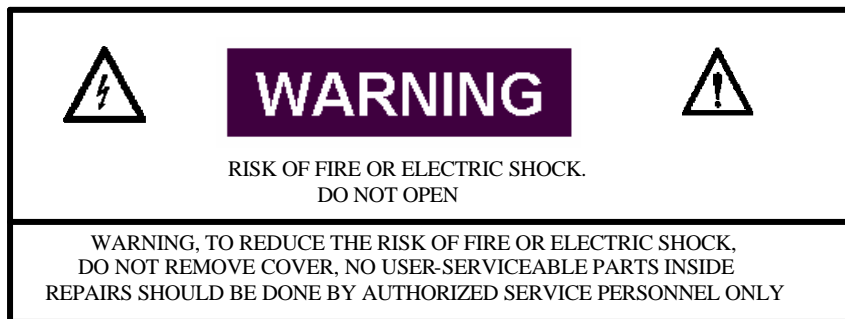
Coffeemaker KB-741

“Household Use Only”

IMPORTANT SAFEGUARDS

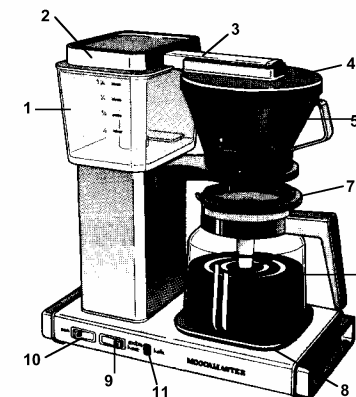
When using electrical appliances, basic safety precautions should always be followed, including the following:

1. Read all instructions.
2. Do not touch hot surfaces. Use handles or knobs.
3. To protect against fire, electrical shock and injury to persons do not immerse cord, plugs, or (state specific part or parts in question) in water or other liquid.
4. Close supervision is necessary when any appliance is used by or near children.
5. Unplug from outlet when not in use and before cleaning. Allow to cool before putting on or taking off parts, and before cleaning the appliance.
6. Do not operate any appliance with a damaged cord or plug or after the appliance malfunctions, or has been damaged in any manner. Return appliance to the nearest authorized service facility for examination, repair or adjustment
7. The use of accessory attachments not recommended by the appliance manufacturer may result in fire, electric shock or injury of persons.
8. Do not use outdoors.
9. Do not let cord hang over edge of table or counter where it can be pulled on by children, or touch hot surface
10. Do not place on or near a hot gas or electric burner, or in a heated oven.
11. Always attach plug to appliance first, then plug into wall outlet. To disconnect, turn any control to "off", then remove plug from wall outlet.
12. Do not use appliance for other than intended use.
13. Always place the lids in the right position as shown in the figure on the next page. Scalding may occur if any of these parts are removed during brewing cycles.
14. Coffeejug:
 - A. The coffeejug is designed for use with this appliance. It must never be used on a range top.
 - B. Do not set a hot coffeejug on a set or cold surface.
 - C. Do not use a cracked container or a container having a loose or weakened handle.
 - D. Do not clean the coffeejug with cleaner, steel wool pads, or other abrasive material.
15. Save these instructions.



Coffeemaker KB 741

1. Coldwatercontainer
2. Lid coldwatercontainer
3. Outletpipe
4. Filterlid
5. Filterholder
6. Coffeejug
7. Lid for coffeejug
8. Hotplate
● -65W ● -48W
9. Selection switch
10. On/off switch
11. Signal lamp



Directions for use

1. Fill the watercontainer to the required level with cold water (the marks show the nr. of cups).
2. Place a nr.4 filterpaper in the filterholder. Fill it with the required amount of coffee and shake it level. For 10 cups, use 5 or 6 spoons of coffee. For fewer cups, use proportionally more coffee.
3. Place completed filterholder on the filterbracket, turn chromium outletpipe over centre of filterholder and place the lids of coldwatercontainer and filterholder. Place the jug with mixinglid on the hotplate.
Caution:
Scalding may occur if any of these parts are removed during brewing cycles.
4. Always switch the hotplate to the extra hot position
5. Switch the machine on by means of the **ON** switch.
6. The water will now be brought gradually to the boil and will start to pass through. The hotplate under the jug is also switched on now.
7. As soon as the brewing process is ready, you can take the jug from the hotplate. The filterholder can remain on the filterbracket.
The mixinglid on the jug makes stirring of the coffee before serving unnecessary.
8. The filterholder can be closed should you wish to serve a cup of coffee before the filterprocess is completely ended.
9. Coffee tastes best immediately after it has been made. Do not wait too long before serving. Immediately after serving replace the jug on the hotplate. For keeping smaller quantities switch off the extra hot switch.
10. The machine should be switched off after use.

Daily maintenance of the coffeemaker

Clean the machine regularly with a moisty cloth and wipe dry afterwards. After use, clean the jug and filterholder in hot water and your usual detergent. Rinse thoroughly in hot water.
Never place the machine in a liquid entirely or partly, nor use a very wet cloth.